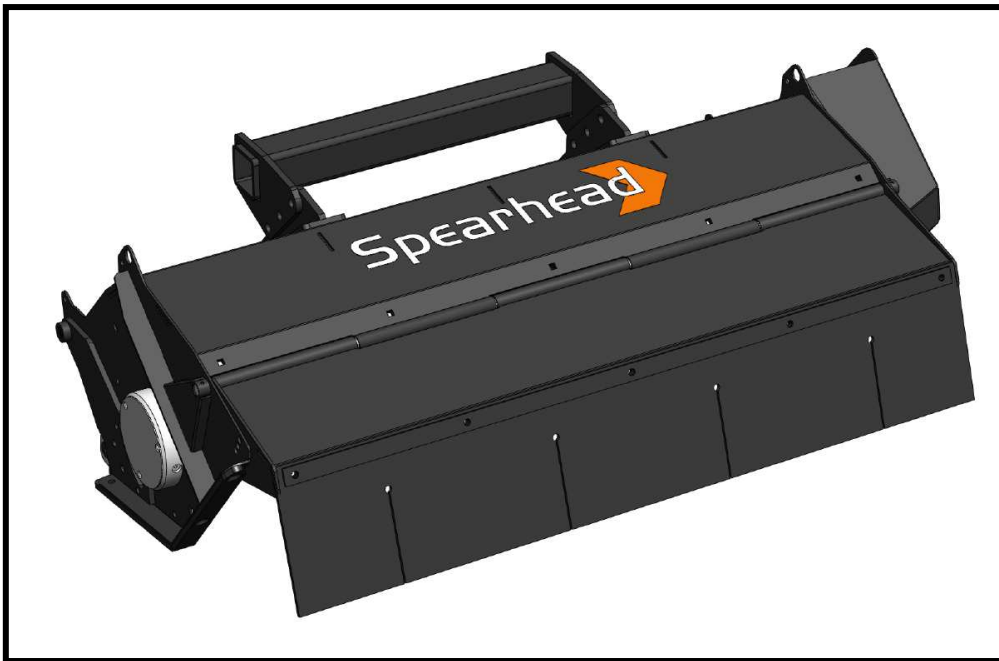


Spearhead

MP1 Flail Head 1.2M/1.5M



Edition 1.3 - October 2014

PARTS MANUAL

Spearhead MP 1 Flail Head

Contents

Ordering your parts	3
Direct Drive Cowl	4
Belt Drive Cowl	5
Rotor Shaft	10
Hydraulic Roller	12
Rear Roller	14

Spearhead MP 1 Flail Head

Ordering Your Part's

When ordering parts please refer to your parts list to help your dealer with your order.

Part number and quantity
Description
Machine model number
Serial number of the machine
Delivery instructions (e.g. next day).

Delivery is normally via carrier direct to your dealer. Please check with your dealer for stock availability and arrangement of dispatch. Ensure you or your dealer has sufficient cover for parts required outside factory hours.

When ordering your seal kits please quote both codes stamped on the base of the cylinder.

Important Note

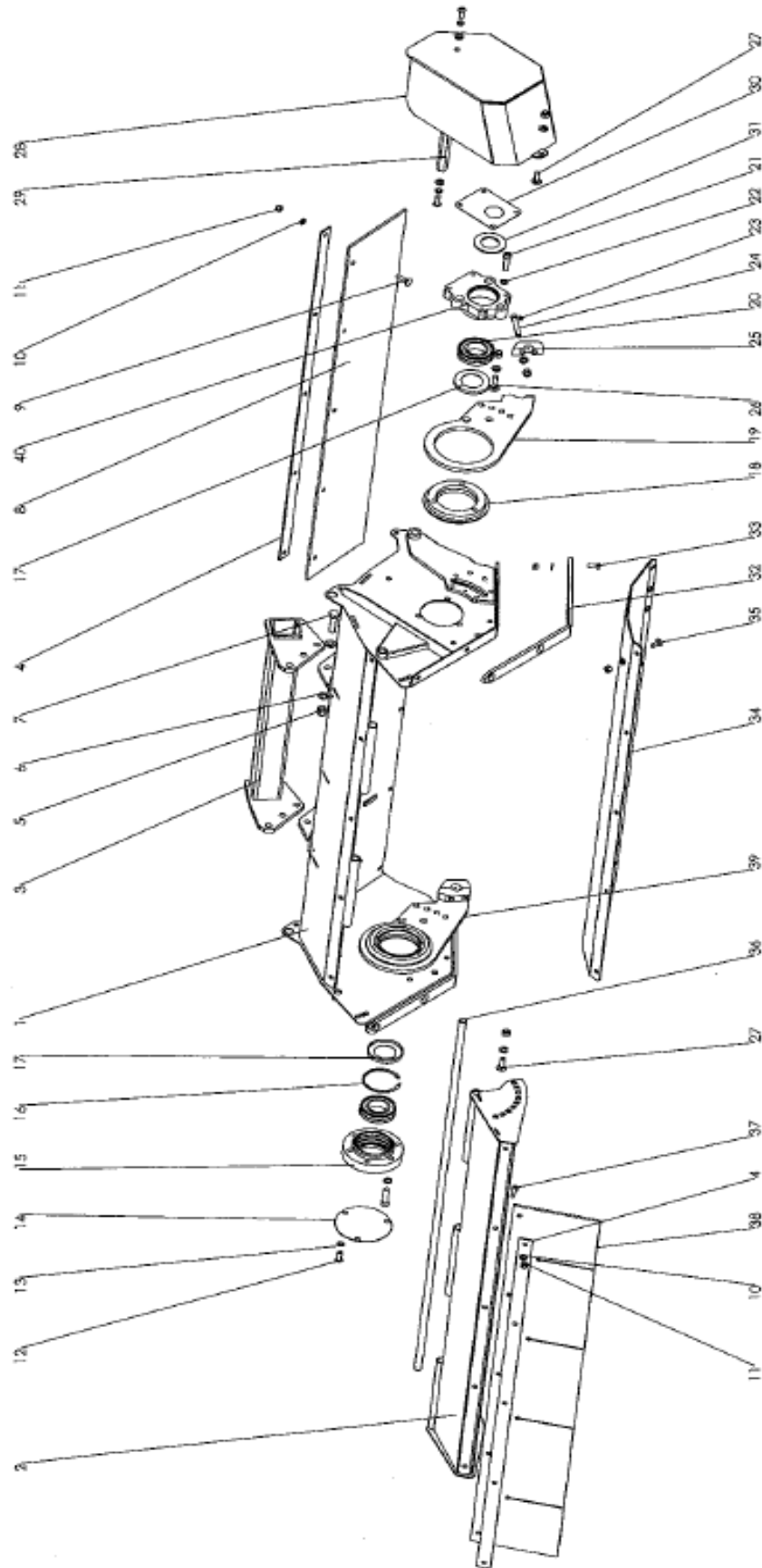
The information contained in this manual is correct at the time of publication. However, in the course of constant development, changes in specification are inevitable. Should you find the information given in this book different to the machine it relates to, please contact the "After Sales Department" for advice.

Key:

(LH) = Left hand
(RH) = *Right hand*

Spearhead MP 1 Flail Head

Direct Drive



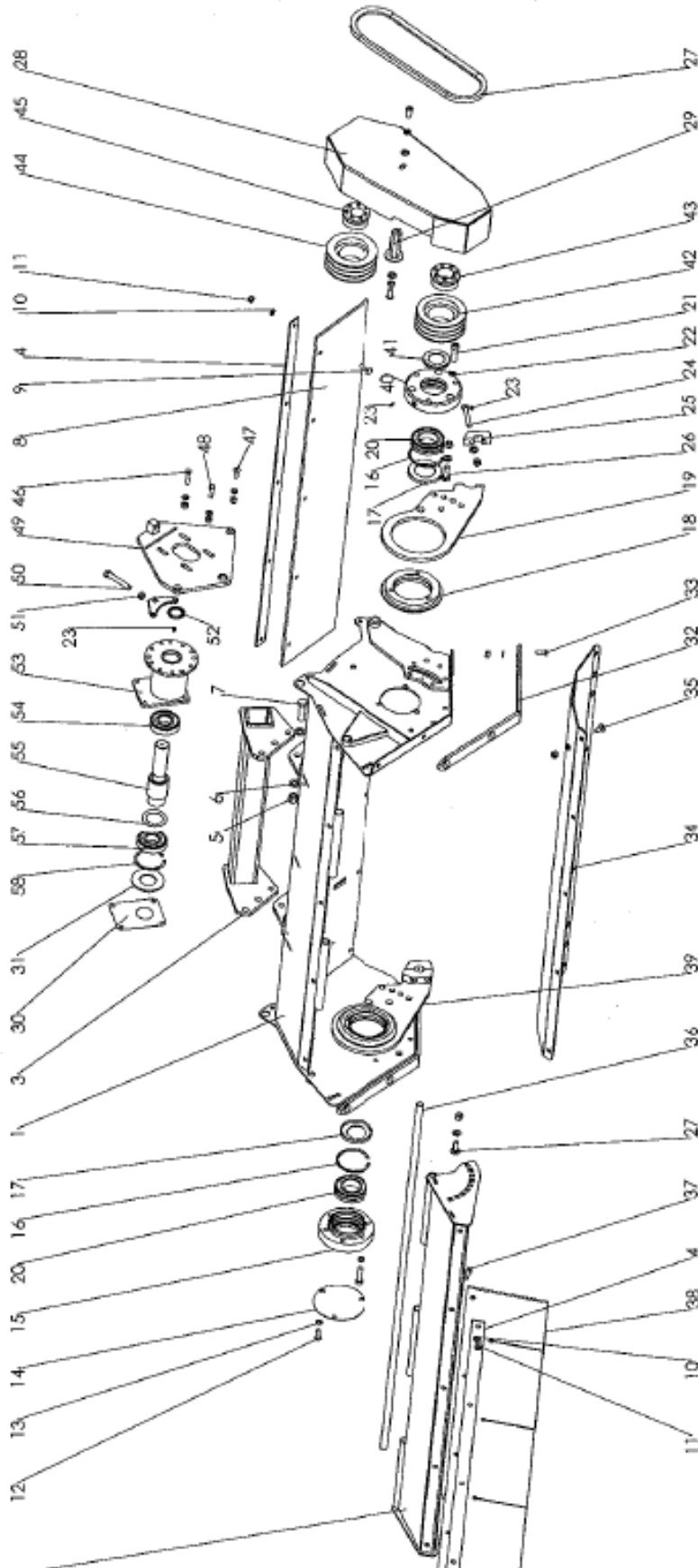
Spearhead MP 1 Flail Head

Direct Drive

REF.	PART NO.	DESCRIPTION
1	1800183	HEAD SHELL – 1.2M
1	1800292	HEAD SHELL – 1.5M
2	1778064	FRONT HOOD – 1.2M
2	1777095C	FRONT HOOD – 1.5M
3	1800184	HEAD MOUNT BRACKET
4	1777398	RETAINING BAR 1.2M
	1777499B	RETAINING BAR 1.5M
5	2770447	LOCKNUT
6	2770454	FLAT WASHER
7	2770425	BOLT
8	8400207B	REAR FLAP 1.2M
	8550127	REAR FLAP 1.5M
9	2770257	BOLT
10	2770434	FLAT WASHER
11	2770412	LOCKNUT
12	9300148	SCREW
13	2770442	SPRING WASHER
14	1800186	NON DRIVE COVER
15	1800187	BEARING HOUSING
16	2777521	CIRCLIP
17	3570676	SEAL
18	1800188	PROTECTION RING
19	1778060L	LH ROLLER PLATE
20	477066	BEARING
21	2770337	SCREW
22	2770457	SPRING WASHER
23	2770467	GREASE NIPPLE
24	2770347	SCREW
25	040000D	ROLLER CLAMP
26	2770259	BOLT
27	2770258	BOLT
28	1800255	LH MOTOR GUARD
	1800256	RH MOTOR GUARD
29	1800250	MOUNTING PIN
30	3151019	GASKET
31	1777806	CENTRING WASHER
32	1777543	SKID
33	2770509	BOLT
34	1800257	INNER SKIN 1.2M
	1800297	INNER SKIN 1.5M
35	2770261	BOLT
36	1800194	HINGE BAR 1.2M
	015605-04	HINGE BAR 1.5M
37	2770396	BOLT
38	8400204	FRONT FLAP 1.2M
	8400208	FRONT FLAP 1.5M
39	1778060R	RH ROLLER PLATE
40	1800198	BEARING HOUSING

Spearhead MP 1 Flail Head

Belt Drive



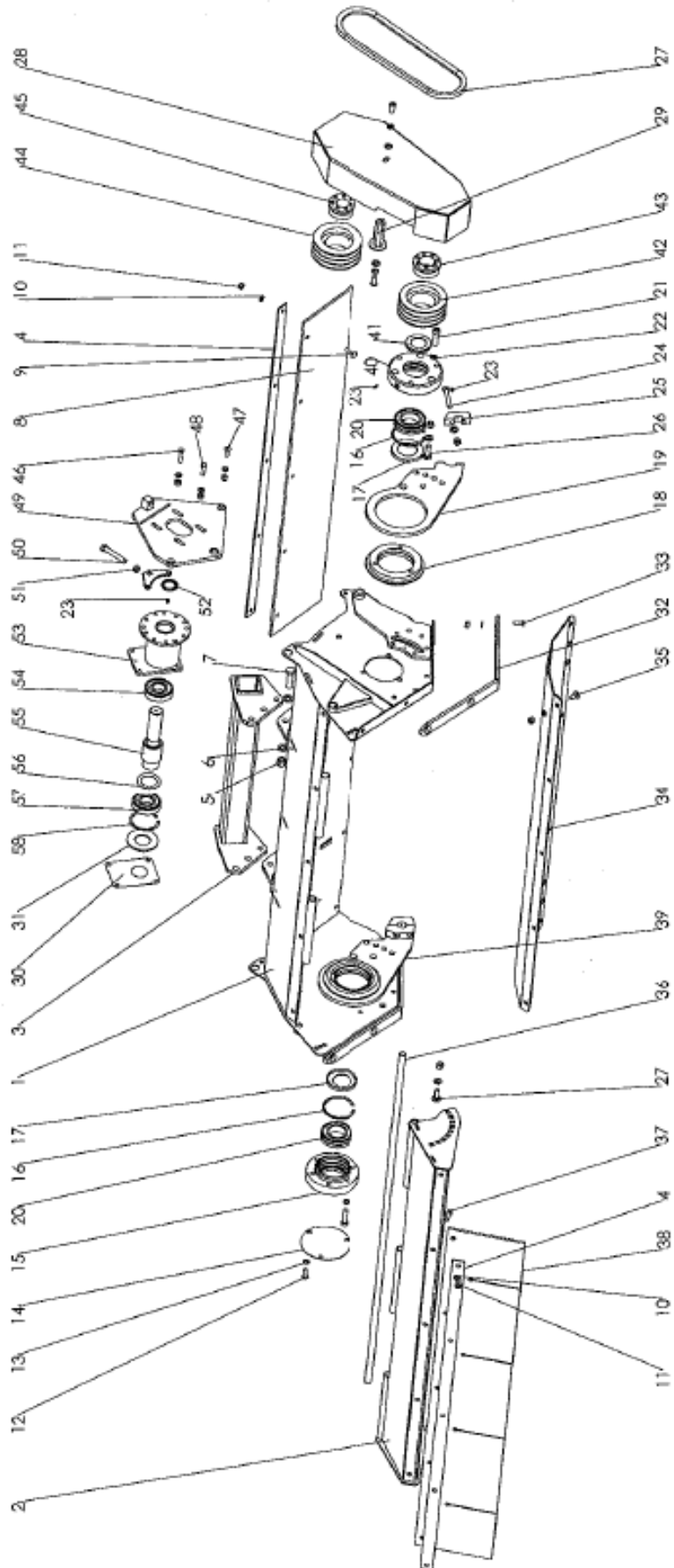
Spearhead MP 1 Flail Head

Belt Drive

REF.	PART NO.	DESCRIPTION
1	1800183	1.2M HEAD SHELL
	1800292	1.5M HEAD SHELL
2	1778064	1.2M FRONT COWL
	1777095C	1.5M FRONT COWL
3	1800184	MOUNTING BRACKET
4	1777398	1.2M RETAINING BAR
	1777499B	1.5M RETAINING BAR
5	2770447	NUT
6	2770454	WASHER
7	2770425	BOLT
8	8400207B	1.2M REAR FLAP
	8550127	1.5M REAR FLAP
9	2770257	BOLT
10	2770434	WASHER
11	2770412	NUT
12	9300148	SCREW
13	2770442	SPRING WASHER
14	1800186	COVER
15	1800187	BEARING HOUSING
16	2777521	CIRCLIP
17	3570676	SEAL (NON DRIVE ENS)
17	4771500	SEAL (PULLEY END)
18	1800188	PROTECTION RING
19	1778060L	LH ROLLER PLATE
20	4770666	BEARING
21	2770337	SCREW
22	2770457	SPRING WASHER
23	2770467	GREASE NIPPLE
24	2770347	SCREW
25	040000D	ROLLER CLAMP
26	2770259	BOLT
27	4770868	BELT X 3
28	1800189	BELT GUARD
29	1800191	MOUNTING PIN
30	3151019	GASKET
31	1770806A	CENTRING WASHER
32	1777543	SKID
33	2770509	BOLT
34	1800257	INNER SKIN 1.2M
	1800297	INNER SKIN 1.5M
35	2770261	BOLT
36	1800194	HINGE BAR 1.2M
	015605-04	HINGE BAR 1.5M
37	2770396	BOLT
38	8400204	FRONT FLAP 1.2M
	8400208	FRONT FLAP 1.5M
39	1779060R	RH ROLLER PLATE
40	1800187	BEARING HOUSING

Spearhead MP 1 Flail Head

Belt Drive



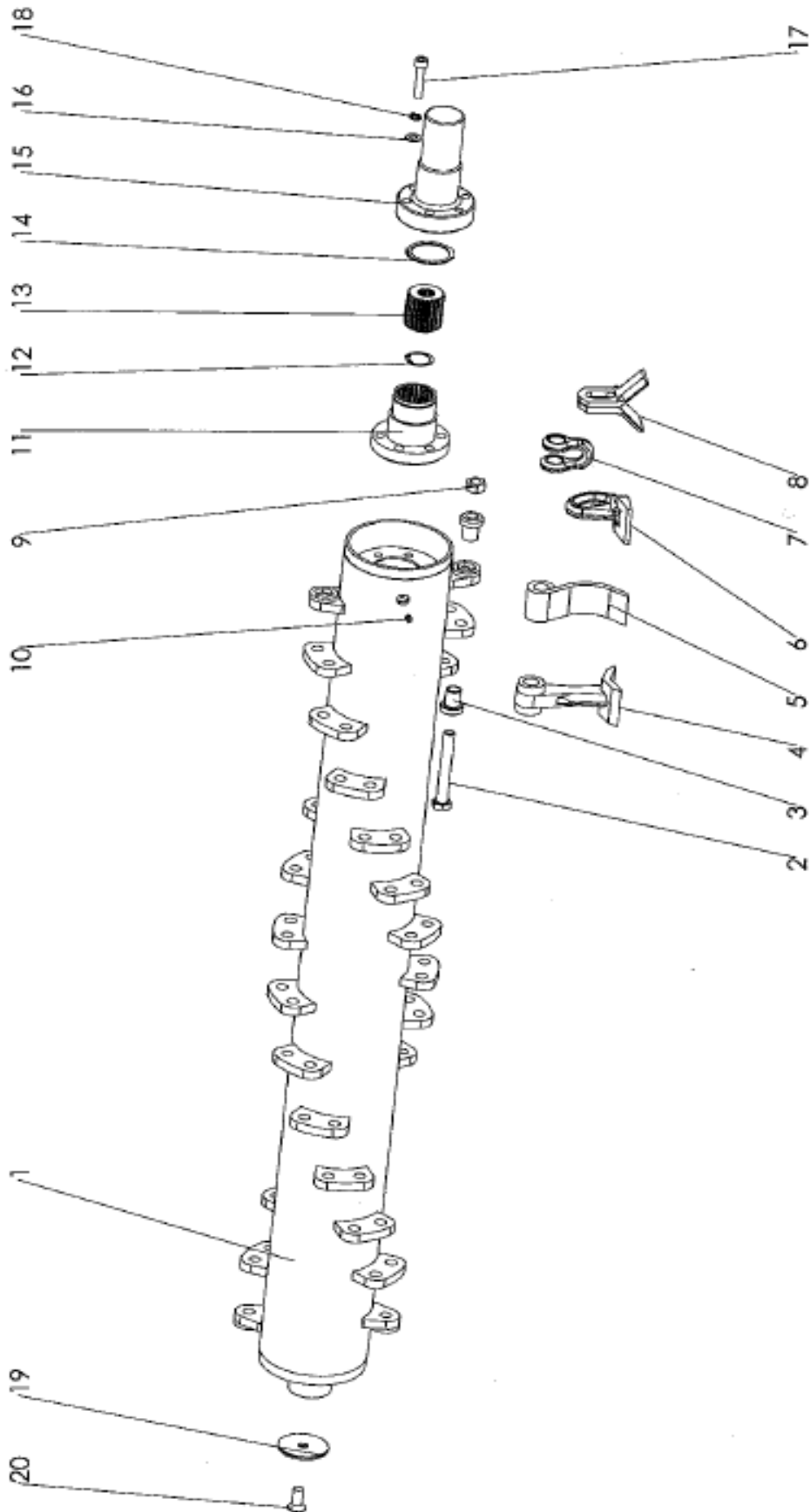
Spearhead MP 1 Flail Head

Belt Drive

REF.	PART NO.	DESCRIPTION
41	4771511	SEAL
42	4770924	PULLEY (150MM)
43	4770922	CLAMP
44	4770925	PULLEY (160MM)
45	4770921	CLAMP
46	2772283	BOLT
47	2770520	BOLT
48	2770396	BOLT
49	1800190	BACK PLATE
50	2770448	BOLT
51	2770536	NUT
	1777939	BELT TENSIONER
52	4771505	SEAL
53	1777920B	HOUSING
54	4770872	BEARING
55	1800281	SHAFT – GEAR MOTOR
	1800282	SHAFT – PISTON MOTOR
56	4600137	SHIM
57	4771607	BEARING
58	2771109	CIRCLIP

Spearhead MP 1 Flail Head

Rotor Shaft



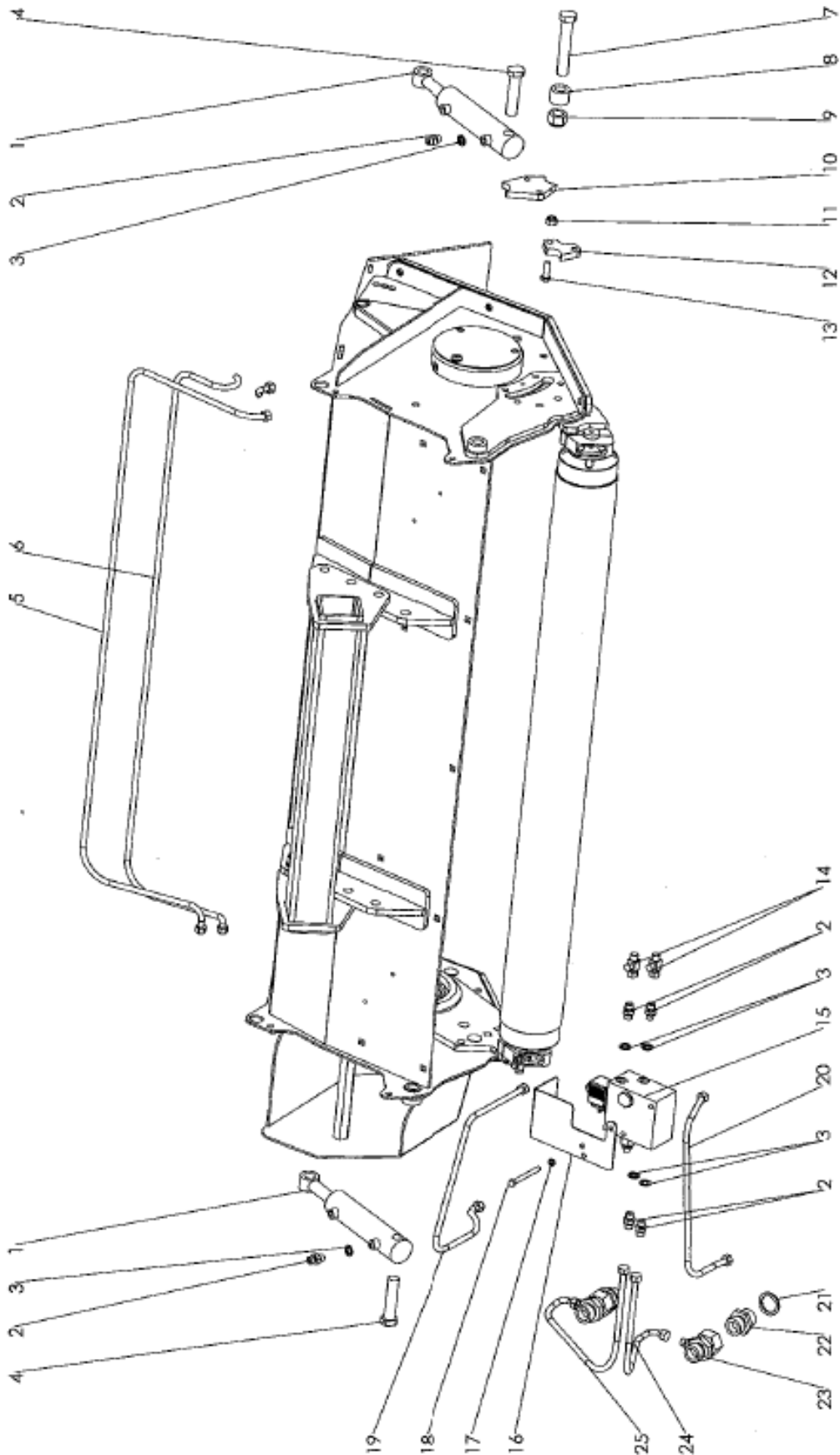
Spearhead MP 1 Flail Head

Rotor Shaft

REF. NO	PART NO.	DESCRIPTION
1	1800260	1.2M ROTOR – T FLAIL
	1800261	LH 1.2M ROTOR – C FLAIL
	1800262	RH 1.2M ROTOR – C FLAIL
	1800263	LH 1.2M ROTOR – BOOT FLAIL
	1800264	RH 1.2M ROTOR – BOOT FLAIL
	1800265	1.2M ROTOR – B2B FLAIL
1	1800312	1.5M ROTOR – T FLAIL
	1800313	LH 1.5M ROTOR – C FLAIL
	1800314	RH 1.5M ROTOR – C FLAIL
	1800316	LH 1.5M ROTOR – BOOT FLAIL
	1800317	RH 1.5M ROTOR – BOOT FLAIL
	1800318	1.5M ROTOR – B2B FLAIL
2	2770599	BOLT
3	1777721	BUSH
4	7770713	T FLAIL
5	7770699	C FLAIL
6	7770723A	BOOT FLAIL
7	7770722	SHACKLE
8	7770725	BACK 2 BACK
9	05.968.06	NUT
10	2770467	GREASE NIPPLE
11	1777975	DIRECT DRIVE SHAFT
12	2777523	CIRCLIP
13	3151083	ADAPTOR (PISTON MOTOR)
14	2777511	CIRCLIP
15	1800197	BELT DRIVE SHAFT
16	2770434	WASHER
17	2772293	BOLT
18	2770469	SPRING WASHER
19	1777208	WASHER
20	2770506	SCREW

Spearhead MP 1 Flail Head

Hydraulic Roller



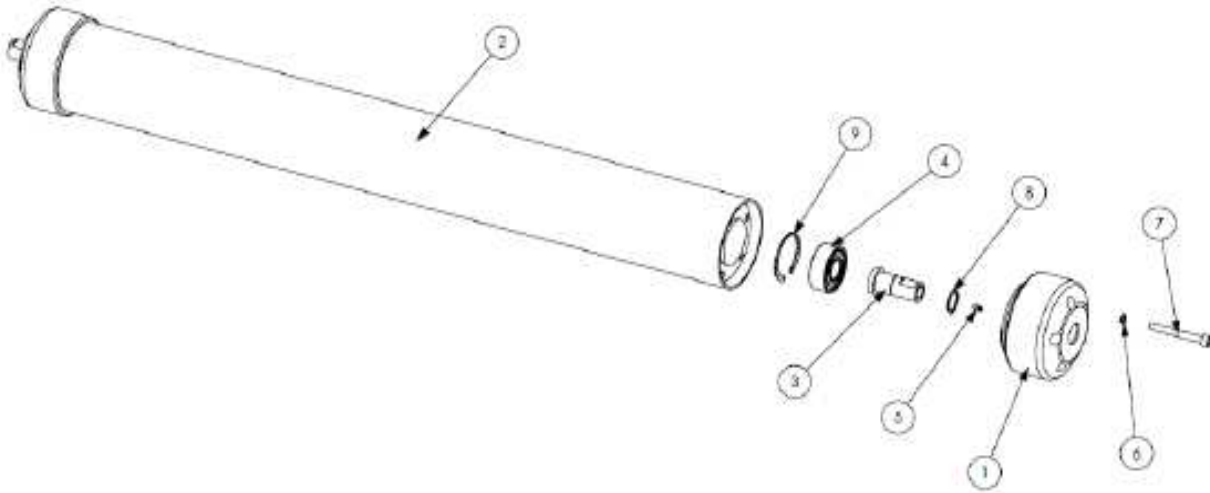
Spearhead MP 1 Flail Head

Hydraulic Roller

REF.	PART NO.	DESCRIPTION
1	3580664	RAM
	3580664W	SEAL KIT
2	3360080	ADAPTOR
3	3260070	WASHER
4	2772308	BOLT
5	3760405	HOSE
		HOSE
		HOSE
		HOSE
6	3760404	HOSE
		HOSE
		HOSE
		HOSE
7	2772309	BOLT
8	1778062	SPACER
9	2770344	LOCKNUT
10	1778058	STOP PLATE – LARGE
11	2770402	LOCKNUT
12	1778059	STOP PLATE – SMALL
13	2770396	BOLT
14	3460100	ADAPTOR
15	3610082	VALVE ASSY
	3610082/1	SOLENOID
	3610080/1	COIL
16	1800254	GUARD
17	2770433	SPRING WASHER
18	2772289	BOLT
19	3760403	HOSE
		HOSE
20	3760402	HOSE
		HOSE
21	3260074	WASHER
22	3360092	ADAPTOR
23	3700167	ADAPTOR 1”
	3700166	ADAPTOR ¾”
24	3760401	HOSE
25	3760400	HOSE

Spearhead MP 1 Flail Head

Rear Roller



REF.	PART NO. 1.2	PART NO. 1.5	DESCRIPTION.	QTY.
1	180735		6" ROLLER END CAP	2
2	180902	180903	ROLLER W/ASSY - 1.2M	1
3	180785		ROLLER STUB SHAFT	2
4	4771608		BEARING - ROLLER SHAFT	2
5	2770467		M6 GREASE NIPPLE	2
6	2770469		M10 SPRING WASHER	10
7	2770482		M10 X 90 SKT CAPSCREW	10
8	2777519		CIRCLIP - CONSIGNMENT	2
9	2771108		CIRCLIP - CONSIGNMENT	2

Spearhead MP 1 Flail Head

Spearhead Machinery Ltd
Green View
Salford Priors
Evesham
Worcestershire
WR11 8SW

Tel: 01789 491860

Fax: 01789 778683

www.spearheadmachinery.com
enquiries@spearheadmachinery.com