

Spearhead

MP 2 Flail Head

Parts Book

2nd Edition – August 2013

Spearhead Machinery
Green View
Salford Priors
Evesham
Worcestershire
WR11 8SW
Tel: 01789 491860
Fax: 01789 778683
www.spearheadmachinery.com
enquiries@spearheadmachinery.com

© Spearhead Machinery Limited 2004

8999051

Spearhead MP 2 Flail Head

Contents

Ordering your parts	3
LH Direct Drive Flail Head	4
LH Belt Drive Head	8
Pulley Support	12
Roller	13
Side Skid Kit	14
T Flail Rotor Assembly	15
C Flail Rotor Assembly	16
Boot Flail Rotor Assembly	17
Back To Back Flail Rotor Assembly	18
Stickers	19

Spearhead MP 2 Flail Head

Ordering Your Part's

When ordering parts please refer to your parts list to help your dealer with your order.

Part number and quantity

Description

Machine model number

Serial number of the machine

Delivery instructions (e.g. next day).

Delivery is normally via carrier direct to your dealer. Please check with your dealer for stock availability and arrangement of dispatch. Ensure you or your dealer has sufficient cover for parts required outside factory hours.

When ordering your seal kits please quote both codes stamped on the base of the cylinder.

Important Note

The information contained in this manual is correct at the time of publication. However, in the course of constant development, changes in specification are inevitable. Should you find the information given in this book different to the machine it relates to, please contact the "After Sales Department" for advice.

Key:

(LH) = Left hand
(RH) = *Right hand*

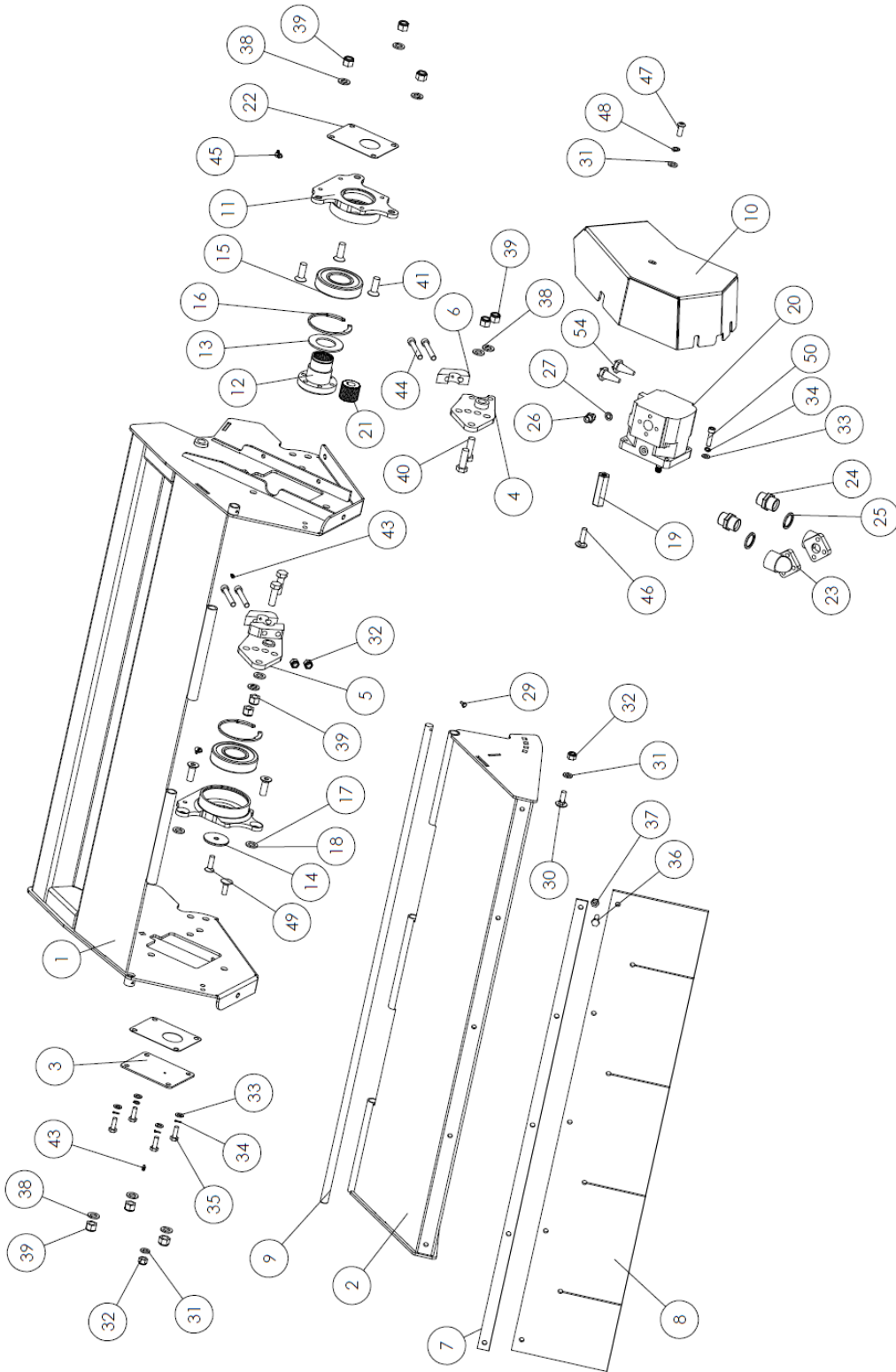
Spearhead MP 2 Flail Head

LH DD Flail Head

REF.	PART NO. 1.2M	PART NO. 1.5M	DESCRIPTION.	QTY.
1	180466	180933	HEAD SHELL	1
2	180467	180936	FRONT HOOD	1
3	180472		NON-DRIVE COVER PLATE	1
4	180473		LH ROLLER PLATE	1
5	180474		RH ROLLER PLATE	1
6	040000D		ROLLER CLAMP PLATE	2
7	1777398	1777499B	RETAINING PLATE	1
8	8400204	8400208	RUBBER FLAP – FRONT	1
9	1800194	180392	HINGE BAR	1
10	180469		LH DD MOTOR GUARD	1
10	180475		RH DD MOTOR GUARD	1
11	180468		BEARING HOUSING	2
12	1777975		ROTOR DRIVE END	1
13	1777806		SPIGGOT WASHER	1
14	1777208		RETAINING WASHER	1
15	0600018		ROTOR BEARING	2
16	7190022		CIRCLIP	2
17	7191098		SPACER SHIM - 1.5MM	3
18	7191099		SPACER SHIM - 2.5MM	3
19	180475		GUARD MOUNT PIN	1
20	3151034		MOTOR	1
21	3151028		SPLINED BUSH	1
22	3151019		GASKET	1
23	3151008		ELBOW	2
24	3360092		ADAPTOR	2
25	3260074		SEAL	2
26	3360083		ADAPTOR	1
27	3260070		SEAL	1
28	3450157		ADAPTOR	1
29	05.969.02		SCREW	1
30	2770258		CUP SQUARE - M12 X 35	2
31	2770436		WASHER - M12	3
32	2770417		NUT - M12	6
33	2770434		WASHER - M10	8
34	2770469		SPRING WASHER - M10	8
35	2770421		BOLT - M10 X 30	4
36	2770396		BOLT - M10 X 35	5
37	2770412		NUT - M10	5
38	2770454		WASHER - M16	10
39	2770447		NUT - M16	10
40	2770425		BOLT - M16 X 50	4

Spearhead MP 2 Flail Head

LH DD Flail Head



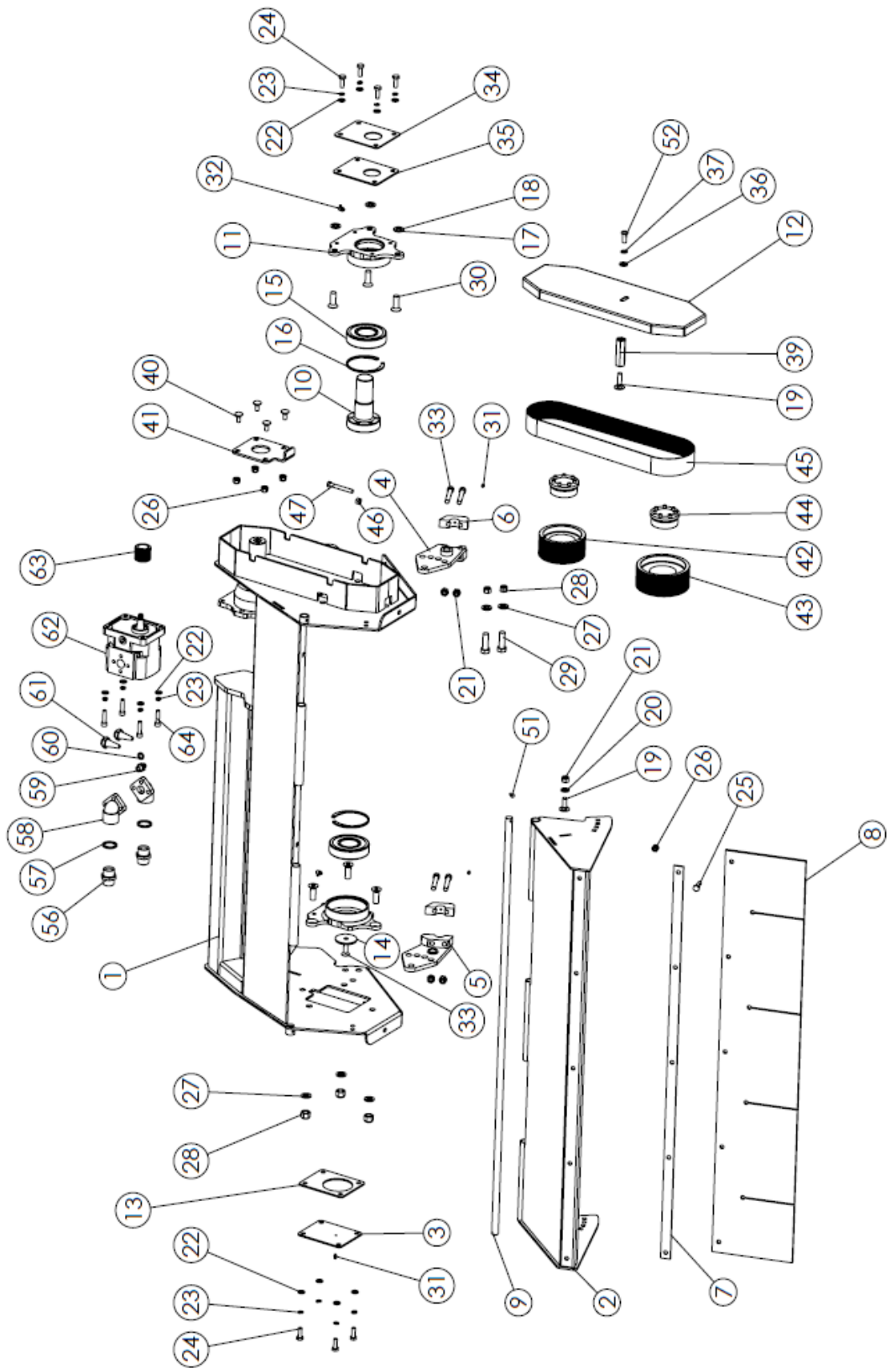
Spearhead MP 2 Flail Head

LH DD Flail Head

REF.	PART NO. 1.2M	PART NO. 1.5M	DESCRIPTION.	QTY.
41	2770461		CSK SKT BOLT - M16 X 45	6
43	2770467		GREASE NIPPLE - M6 ST	3
44	2770347		BOLT - M12 X 80	4
45	2770497		GREASE NIPPLE - M6 90	2
46	2770440		COACH BOLT - M12 X 50	1
47	05.625.10		SKT CAP SCREW DOMED - M12 X30	1
48	2770442		SPRING WASHER - M12	1
49	2770398		CSK SKT BOLT - M12 X 45	1
50	2772284		SKT CAP BOLT - M10 X 40	4
51	06.023.01		CABLE TIE (NS)	2
52	3750705	3750708	HOSE KIT (NS)	1
53	43542.08		LAYFLAT - BLACK 2 METRES (NS)	1
54	3610049		ANTI CAVITATION VALVE	2
55	8770768		CABLE TIE - PURPLE	1
57	8770769		CABLE TIE - RED	1

Spearhead MP 2 Flail Head

LH BD Flail Head



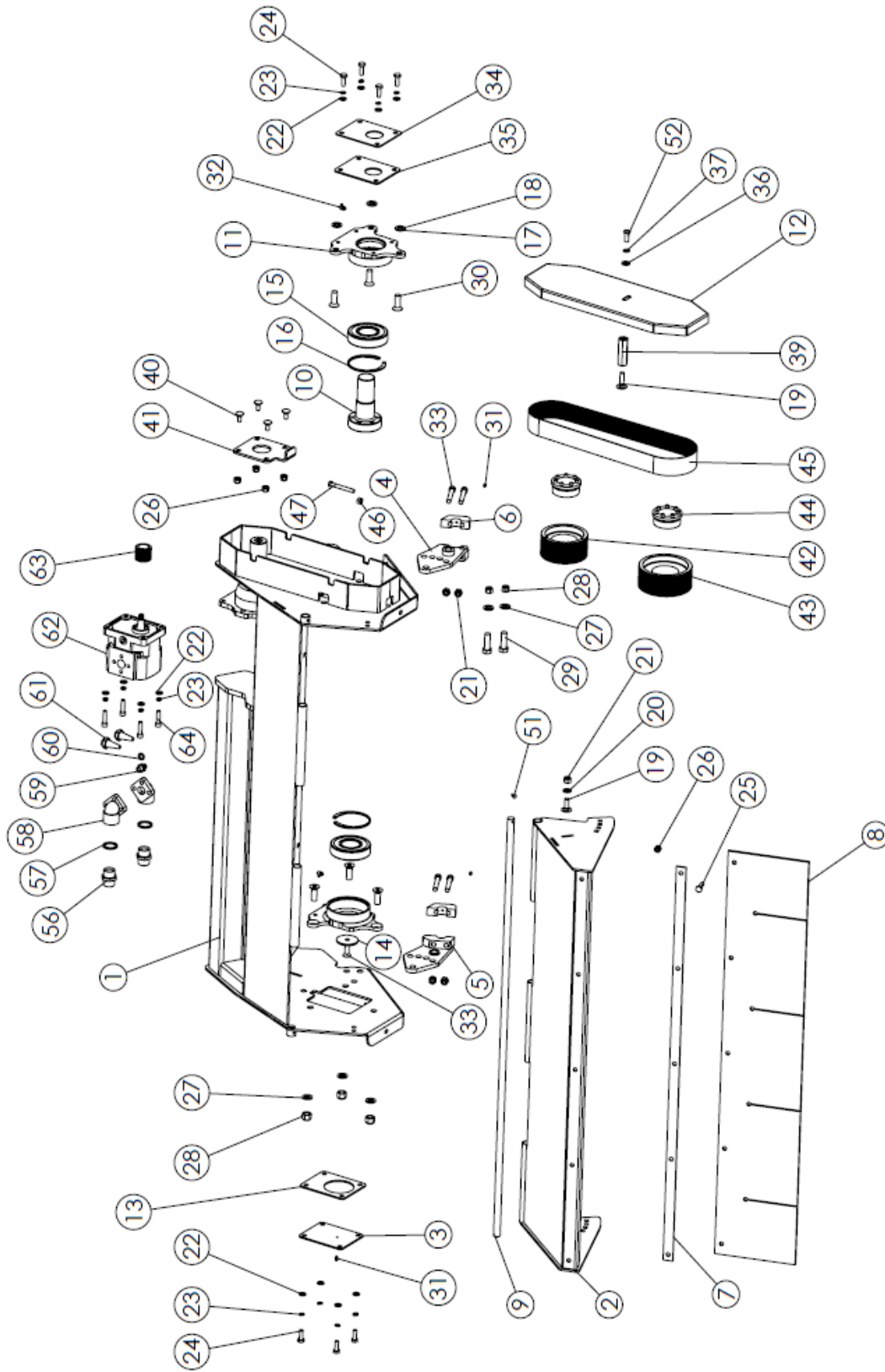
Spearhead MP 2 Flail Head

LH BD Flail Head

REF.	PART NO. 1.2M	PART NO. 1.5M	DESCRIPTION.	QTY.
1	180480	180934	HEAD SHELL LH	1
1	180486	180935	HEAD SHELL RH	1
2	180467	180936	FRONT HOOD	1
3	180472		NON-DRIVE COVER PLATE	1
4	180473		LH ROLLER PLATE	1
5	180474		RH ROLLER PLATE	1
6	040000D		ROLLER CLAMP PLATE	2
7	1777398	1777499B	RETAINING PLATE	1
8	8400204	8400208	RUBBER FLAP - FRONT	1
9	1800194	180392	HINGE BAR	1
10	1800197		DRIVE SHAFT	1
11	180468		BEARING HOUSING	2
12	180481		BELT GUARD	1
13	8400229		GASKET	1
14	1777208		RETAINING WASHER	1
15	0600018		ROTOR BEARING	2
16	7190022		CIRCLIP	2
17	7191098		SPACER SHIM - 1.5MM	3
18	7191099		SPACER SHIM - 2.5MM	3
19	2770258		CUP SQUARE - M12 X 35	3
20	2770436		WASHER - M12	3
21	2770417		NUT - M12	6
22	2770434		WASHER - M10	12
23	2770469		SPRING WASHER - M10	12
24	T7697		BOLT - M10 X 20	8
25	2770396		BOLT - M10 X 35	5
26	2770412		NUT - M10	9
27	2770454		WASHER - M16	10
28	2770447		NUT - M16	10
29	2770425		BOLT - M16 X 50	4
30	2770461		CSK SKT BOLT - M16 X 45	6
31	2770467		GREASE NIPPLE - M6 ST	3
32	2770497		GREASE NIPPLE - M6 90	2
33	2770347		CSK SKT BOLT - M12 X 80	1
34	180987		PLATE	1
35	8400228		GASKET	1
36	2770436		WASHER - M12	1
37	2770442		SPRING WASHER - M12	1
38	05.625.10		SKT CAP SCREW DOMED M12 X 30	1
39	180999		GUARD MOUNT PIN	1
40	2770257		CUP SQUARE - M12 X 45	4

Spearhead MP 2 Flail Head

LH BD Flail Head



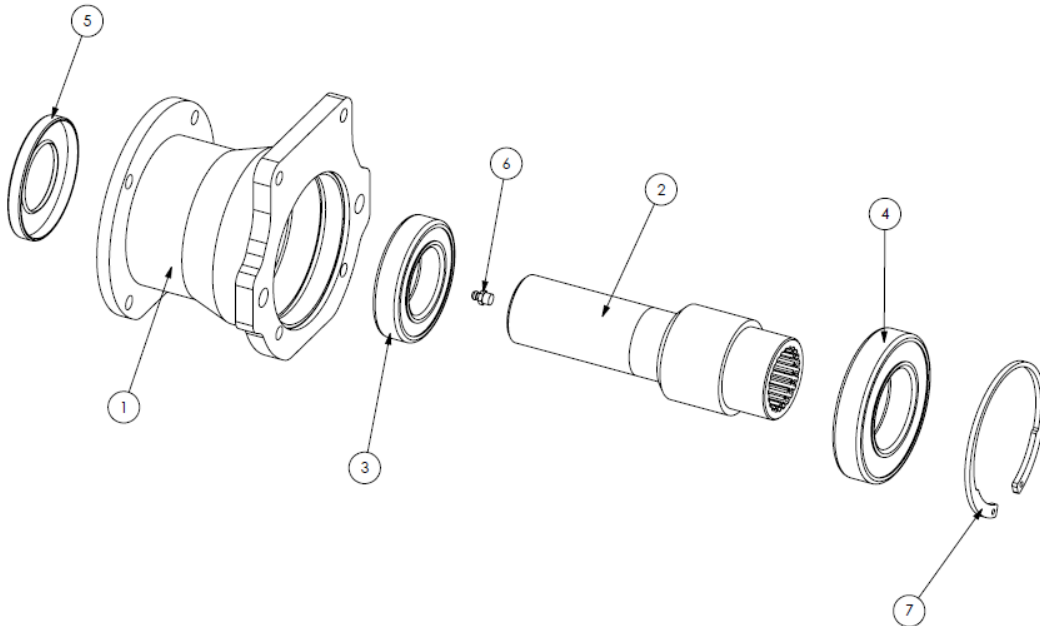
Spearhead MP 2 Flail Head

LH BD Flail Head

REF.	PART NO. 1.2M	PART NO. 1.5M	DESCRIPTION.	QTY.
41	180795		MOTOR PLATE	1
42	4770946		PULLEY 140	1
43	4770948		PULLEY 160	1
44	4770922		SHAFT CLAMP ELEMENT	2
45	4770944		BELT	1
46	2770536		M12 NUT FULL	1
47	2770382		BOLT M12 X 70	1
48	06.023.01		CABLE TIE (NS)	2
49	3750706	3750707	HOSE KIT (NS)	1
50	43542.08		LAYFLAT - BLACK 2 METRES (NS)	1
51	05.969.02		SCREW	1
52	05.625.10		SKT CAP SCREW DOMED - M12 X30	1
53	3610049		ANTI CAVITATION VALVE	2
54	8770768		CABLE TIE - PURPLE	1
55	8770769		CABLE TIE - RED	1
56	3360092		ADAPTOR	2
57	3260074		SEAL	2
58	3151008		ELBOW	2
59	3360083		ADAPTOR	1
60	3260070		SEAL	1
61	3610049		ANTI CAVITATION VALVE	2
62	3151034		MOTOR LOW PRESURE	1
62	3151093		MOTOR HIGH PRESURE	1
63	3151028		SPLINED BUSH	1
64	2772284		SKT CAP BOLT - M10 X 40	4
65	180797		SPIGOTE WASHER LOW PRESURE	1
65	180804		SPIGOTE WASHER HIGH PRESURE	1

Spearhead MP 2 Flail Head

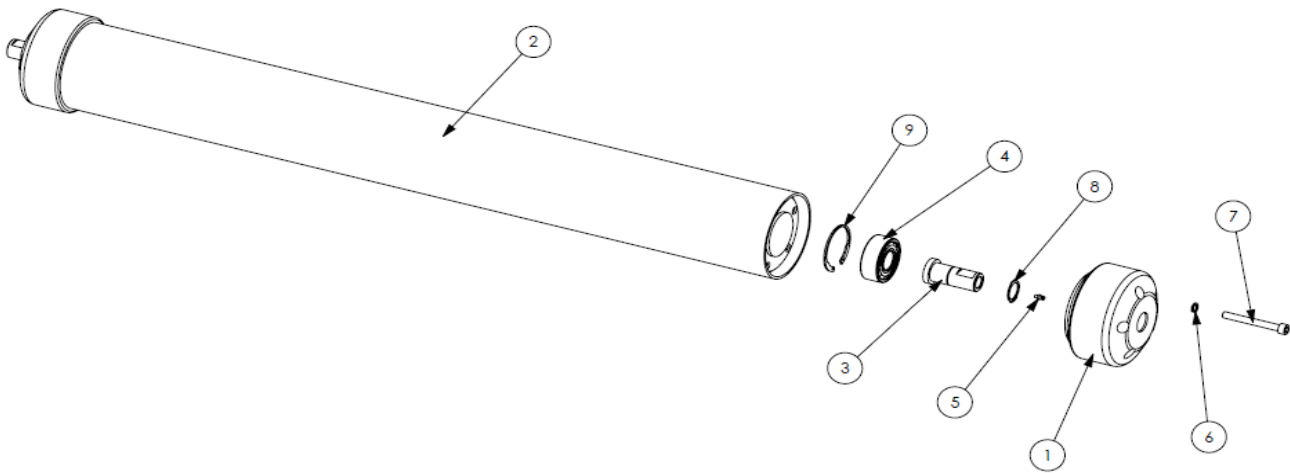
Pulley Supports



REF.	PART NO.	DESCRIPTION.	QTY.
1	180792	PULLEY SUPPORT BEARING	1
2	180793	PULLEY STUB SHAFT	1
3	4771607	BEARING-PULLEY SUPPORT	1
4	4771611	BEARING: 60X110X22MM	1
5	3570678	OIL SEAL: 50X90X10MM	1
6	2770468	M8 GREASE NIPPLE	1
7	05.959.25	CIRCLIP - 110DIA INTERNAL	1

Spearhead MP 2 Flail Head

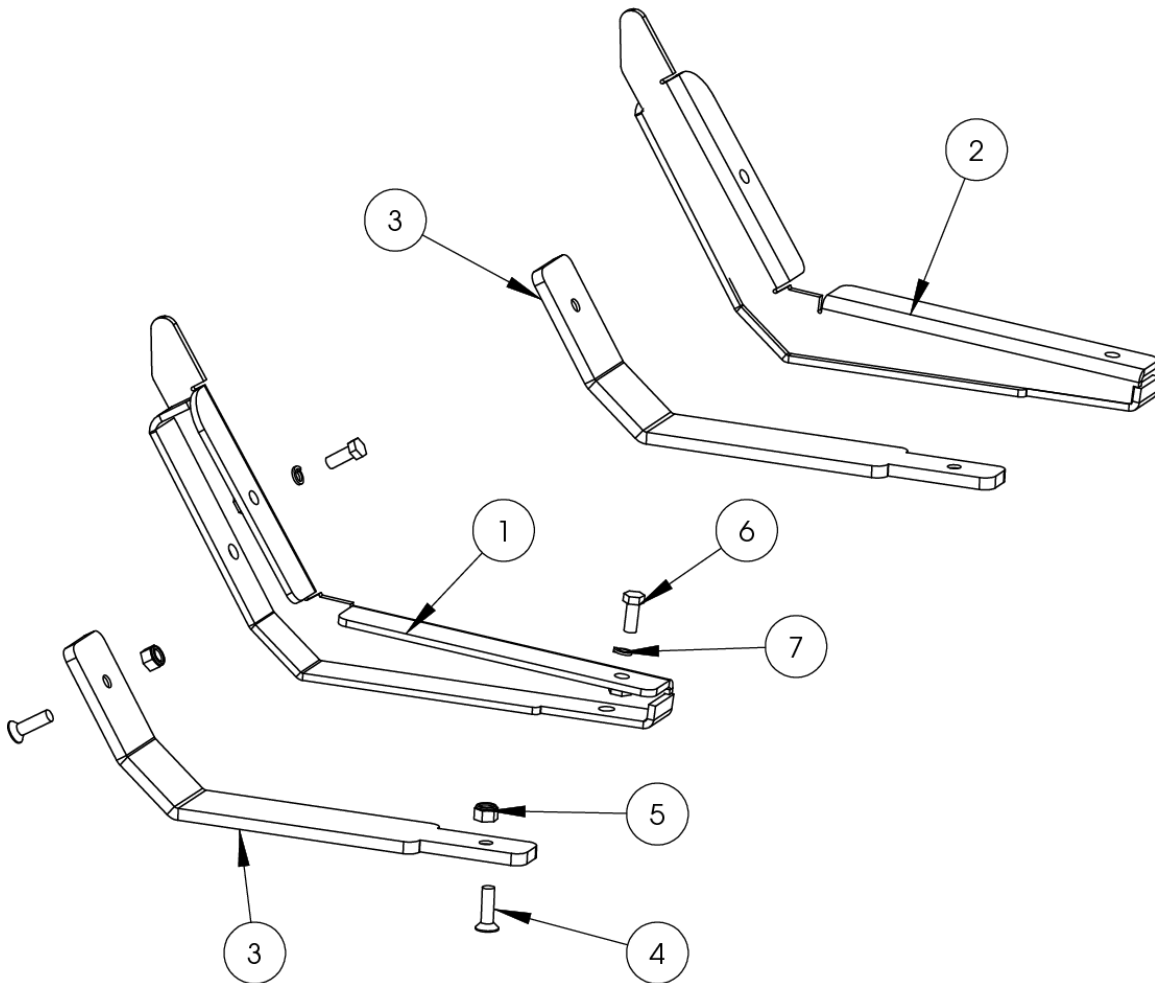
Roller



REF.	PART NO. 1.2	PART NO. 1.5	DESCRIPTION.	QTY.
1	180735		6" ROLLER END CAP	2
2	180902	180903	ROLLER W/ASSY - 1.2M	1
3	180785		ROLLER STUB SHAFT	2
4	4771608		BEARING - ROLLER SHAFT	2
5	2770467		M6 GREASE NIPPLE	2
6	2770469		M10 SPRING WASHER	10
7	2770482		M10 X 90 SKT CAPSCREW	10
8	2777519		CIRCLIP - CONSIGNMENT	2
9	2771108		CIRCLIP - CONSIGNMENT	2

Spearhead MP 2 Flail Head

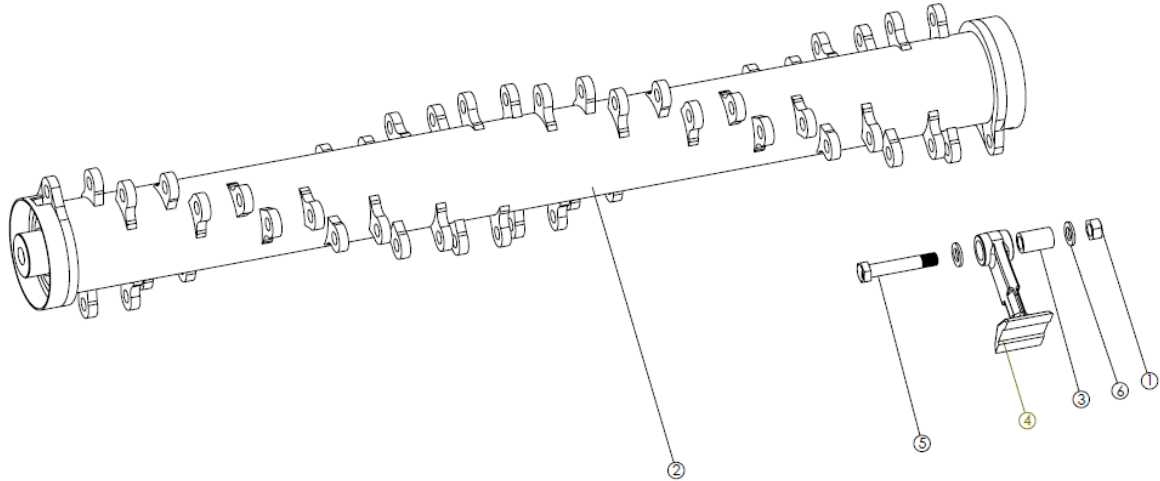
Side Skid Kit



REF.	PART NO.	DESCRIPTION.	QTY.
1	180147	LH SIDE PLATE	1
2	180148	RH SIDE PLATE	1
3	180149	SKID	2
4	2770509	M10 X 40 CSK BOLT	4
5	2770412	M10 NYLOC	4
6	2770407	M10 X 25 BOLT	4
7	2770469	M10 SPRING WASHER	4

Spearhead MP 2 Flail Head

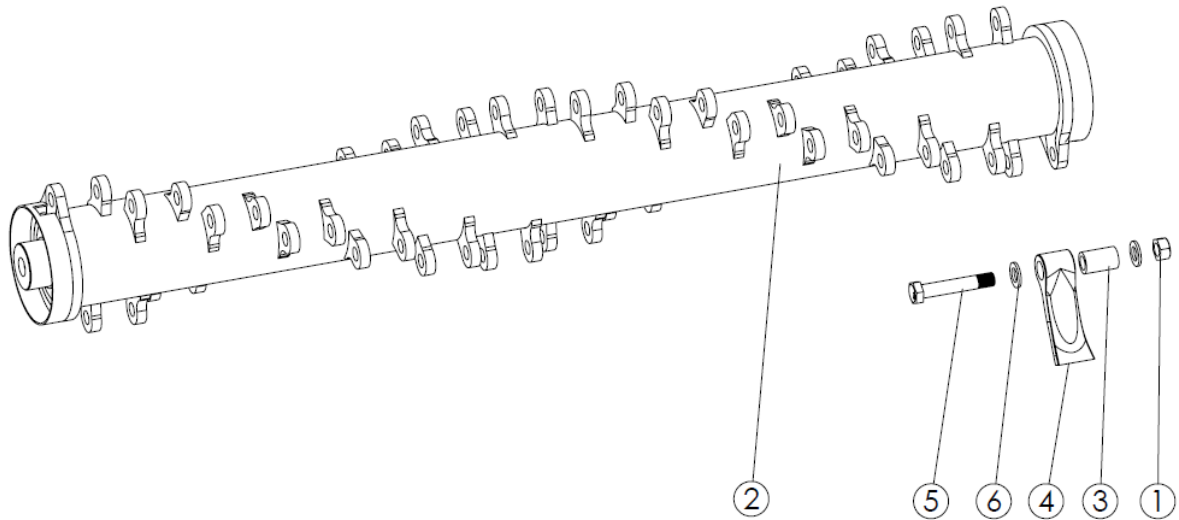
T Flail Rotor Assembly



REF.	PART NO. 1.2M	PART NO. 1.5M	DESCRIPTION.	QTY. 1.2M	QTY. 1.5M
	180490	180937	ROTOR AND FLAIL ASSY	1	1
1	05.968.04		S.LOCKING NUT M16	28	36
2	180471-WA	180937-WA	MP2 ROTOR WELDE	1	1
3	184.106		SPACER	28	36
4	1840093C		T FLAIL	28	36
5	2770631		FLAIL BOLT M16X90MM	28	36
6	7191098		SHIM 1.5MM THICK	56	72

Spearhead MP 2 Flail Head

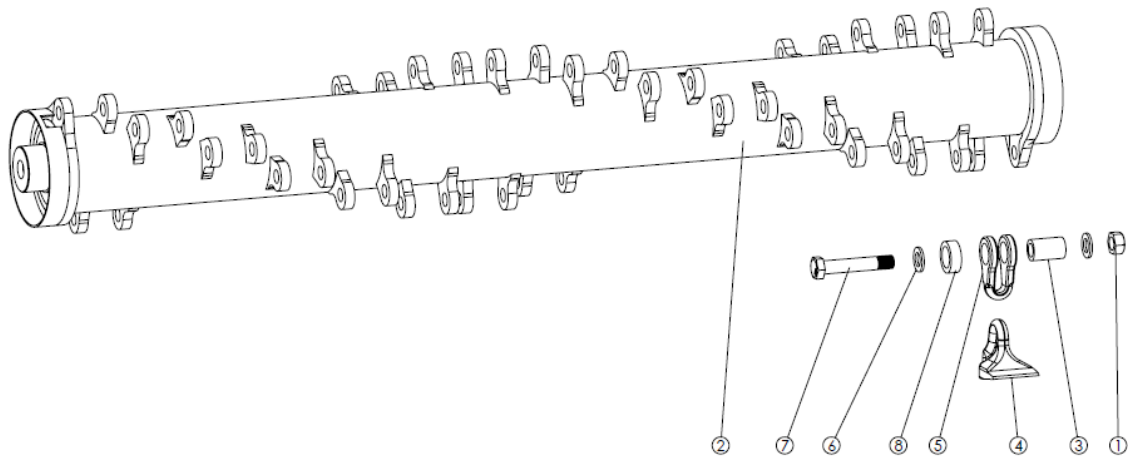
C Flail Rotor Assembly



REF.	PART NO. 1.2m	PART NO. 1.5m	DESCRIPTION.	QTY. 1.2m	QTY. 1.5m
	180491	180938	LH ROTOR AND FLAIL ASSY	1	1
	180492	180939	RH ROTOR AND FLAIL ASSY	1	1
1	05.968.04		S.LOCKING NUT M16	28	36
2	180471-WA	180937-WA	MP2 ROTOR WELDE	1	1
3	184.106		SPACER	28	36
4	46398.01		C FLAIL	28	36
5	2770631		FLAIL BOLT M16X90MM	28	36
6	7191098		SHIM 1.5MM THICK	56	72

Spearhead MP 2 Flail Head

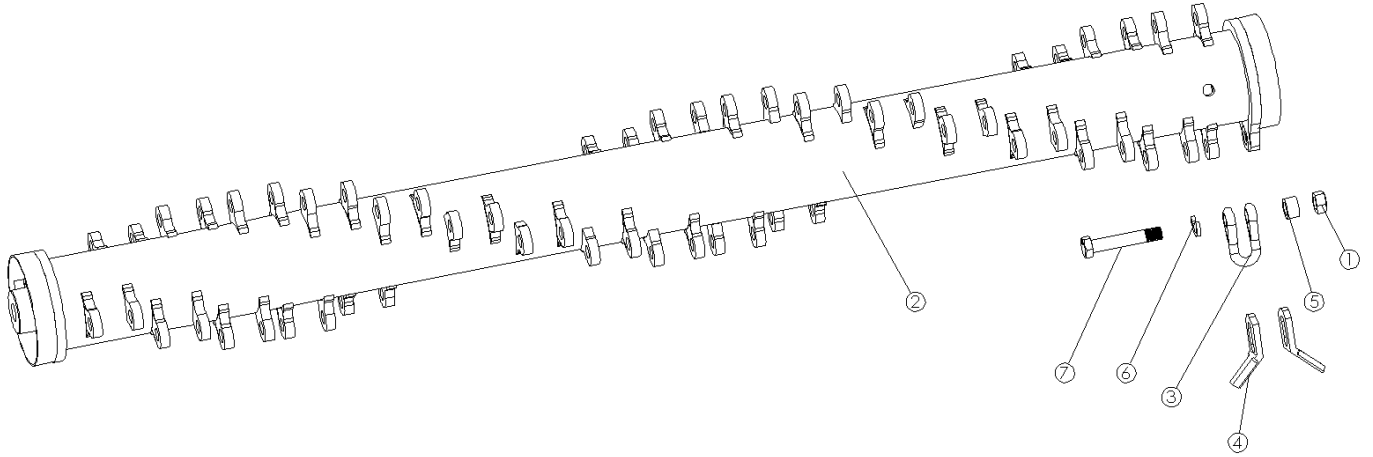
Boot Flail Rotor Assembly



REF.	PART NO. 1.2m	PART NO. 1.5m	DESCRIPTION.	QTY. 1.2m	QTY. 1.5m
	180493	180020	LH ROTOR AND FLAIL ASSY	1	1
	180494	180021	RH ROTOR AND FLAIL ASSY	1	1
1	05.968.04		S.LOCKING NUT M16	28	36
2	180471-WA	180937-WA	MP2 ROTOR WELDE	1	1
3	184.106		SPACER	28	36
4	7190462		FLAIL BLADE BOOT	28	36
5	7190175		SHACKLE	28	36
6	7191098		SHIM 1.5MM THICK	56	72
7	2770631		FLAIL BOLT M16X90MM	28	36
8	7190172		SPACER	28	36

Spearhead MP 2 Flail Head

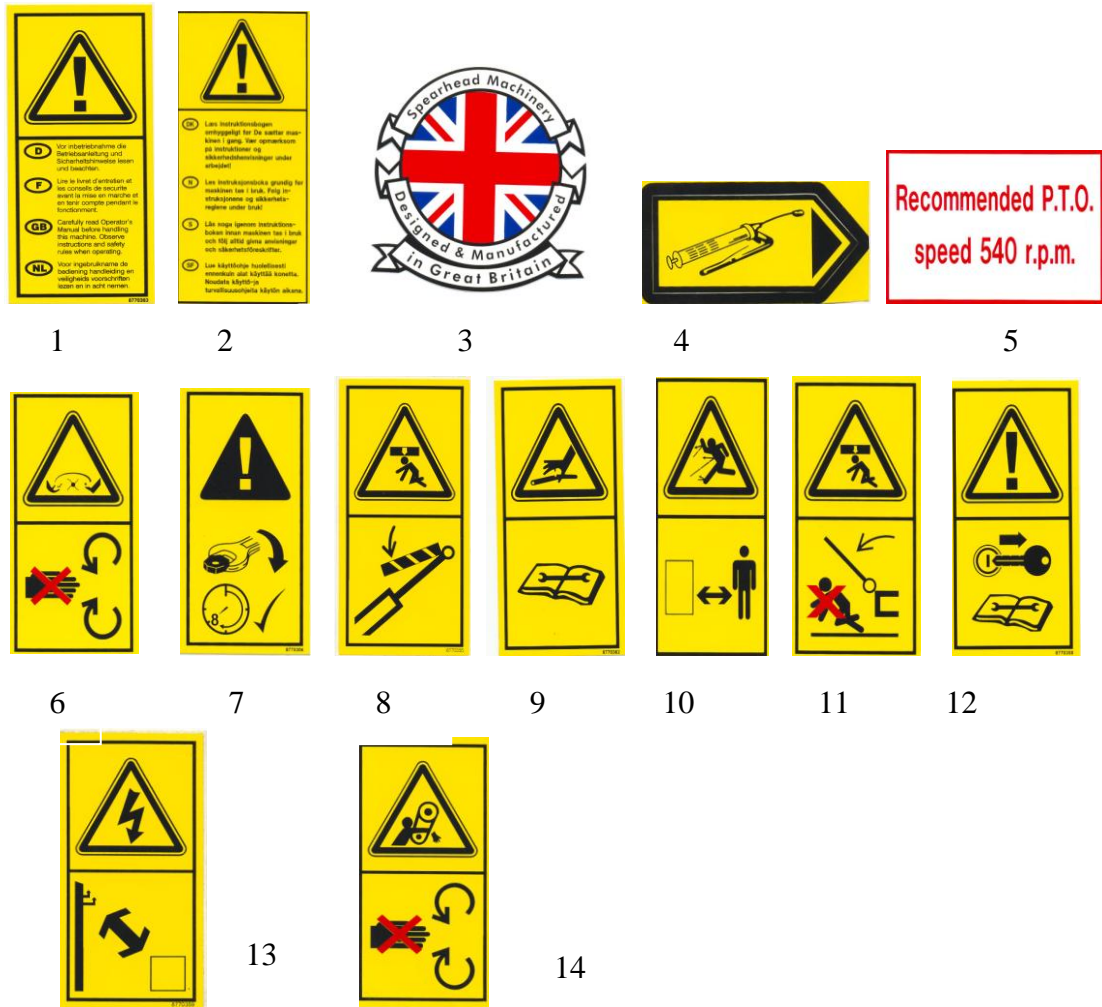
Back To Back Flail Rotor Assembly



REF.	PART NO. 1.2m	PART NO. 1.5m	DESCRIPTION.	QTY. 1.2m	QTY. 1.5m
	180495	180022	ROTOR AND FLAIL ASSY	1	1
1	05.968.04		S.LOCKING NUT M16	28	36
2	180471-WA	180937-WA	MP2 ROTOR WELDED	1	1
3	PS9902007		SHACKLE	28	36
4	7190166		FLAIL	56	72
5	180118		SPACER	28	36
6	2770456		SPRING WASHER	56	72
7	2770631		FLAIL BOLT	28	36

Spearhead MP 2 Flail Head

Stickers



REF	PART NO	DESCRIPTION
1	8770363	READ MANUAL
2	8770367	READ MANUAL
3	8770307	GB
4	8770322	GREASE POINT
5	8770305	540 PTO
6	8770361	MOVING BLADES
7	8770306	KEEP BOLTS TIGHT
8	8770355	RAM STOP
9	8770362	ESCAPING FLUID
10	8770357	KEEP YOUR DISTANCE
11	8770368	DANGER UN-PROPED
12	8770358	REMOVE KEY
13	8770359	DANGER OVERHEAD POWER CABLES
14		DANGER MOVING PARTS